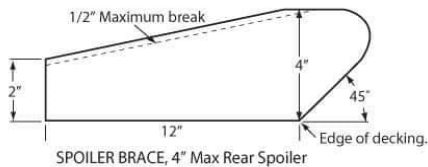
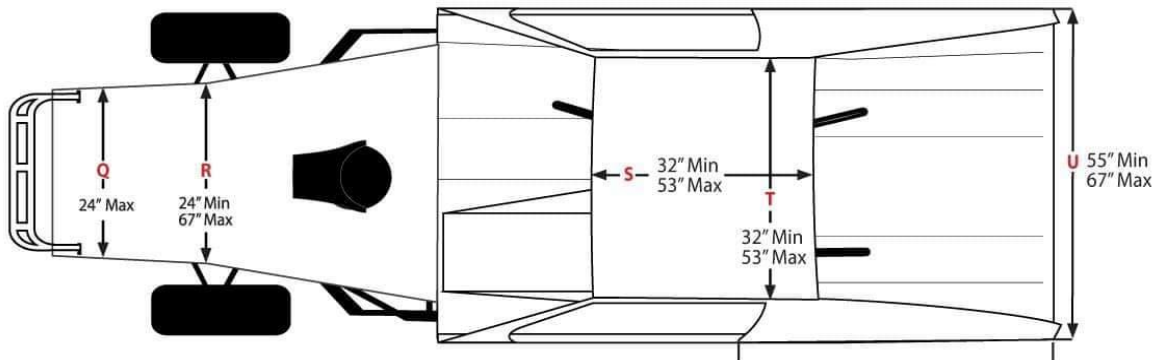
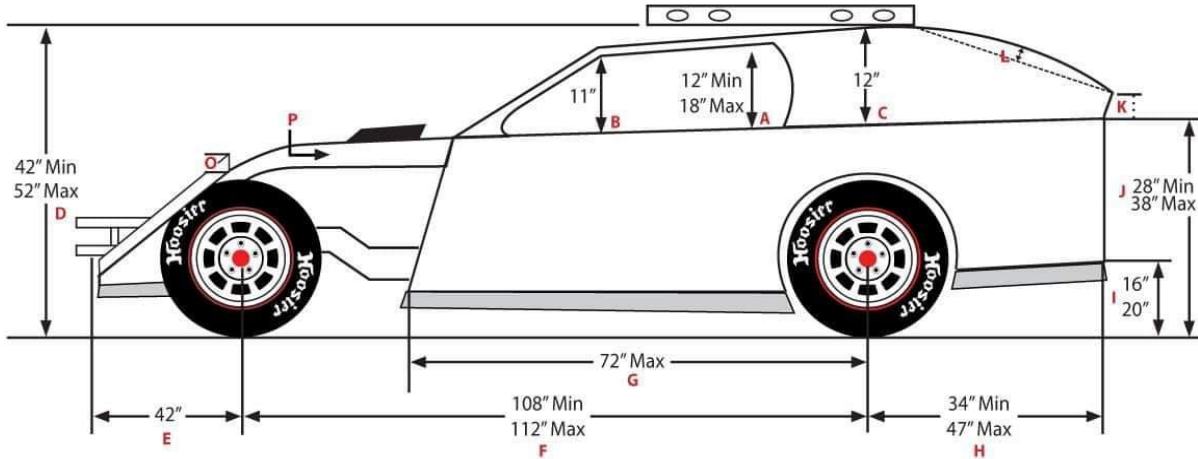


OPEN WHEEL MODIFIED DIMENSIONS FOR 2020



- A. Window opening - 12" Min - 18" Max
- B. Front edge of roof to interior deck - 11" Min
- C. Rear edge of roof to interior deck - 12" Min
- D. Highest point of roof to ground - 42" Min - 52" Max
- E. Center of front wheel to front edge of front bumper - 42"
- F. Wheelbase: Center of rear wheel to center of front wheel - 108" Min - 112" Max
- G. Center of rear wheel to front edge of door - 72" Max
- H. Center of rear wheel to rear edge of quarter panel - 34" Min - 47" Max
- I. Center of lowest bar on rear bumper to ground - 16" Min - 20" Max
- J. Deck height to ground - 28" Min - 38" Max
- K. Rear sail panel height 4" Max
- L. Sail panel curve from rear of roof to rear of panel - 2" Max
- M. Sail panel bow from bottom to roof - 2" Max
- O. 2" Max lip, same on both sides flush with hood
- P. 5" Max drop(sides) sealed off from driver's compartment and Max 6" rake
- Q. 24" Max nose must be flat and flush with sides
- R. 67" Max 24" Min, must cover radiator
- S. 53" Max 32" Min
- T. 53" Max 32" Min
- U. 67" Max 55" Min, measured at top of interior deck, must be same front to back