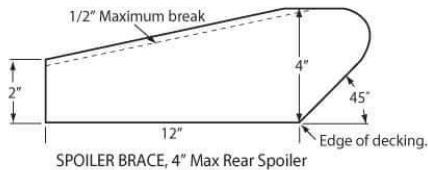
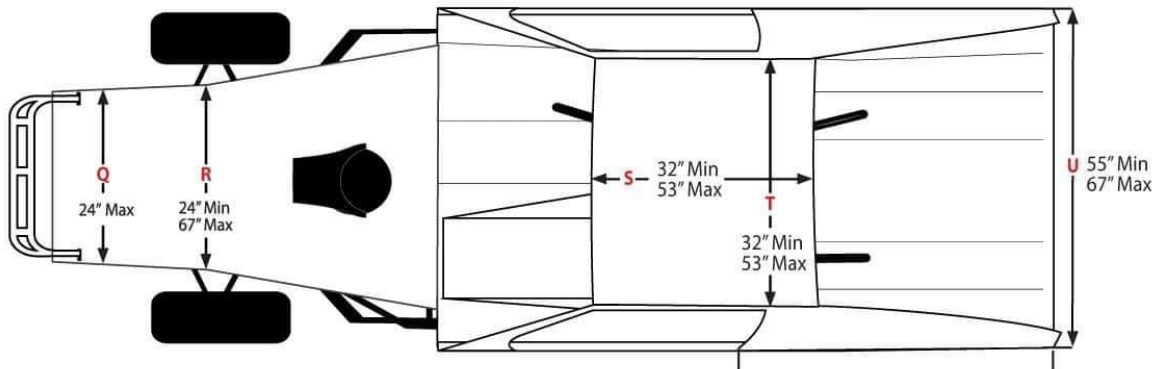
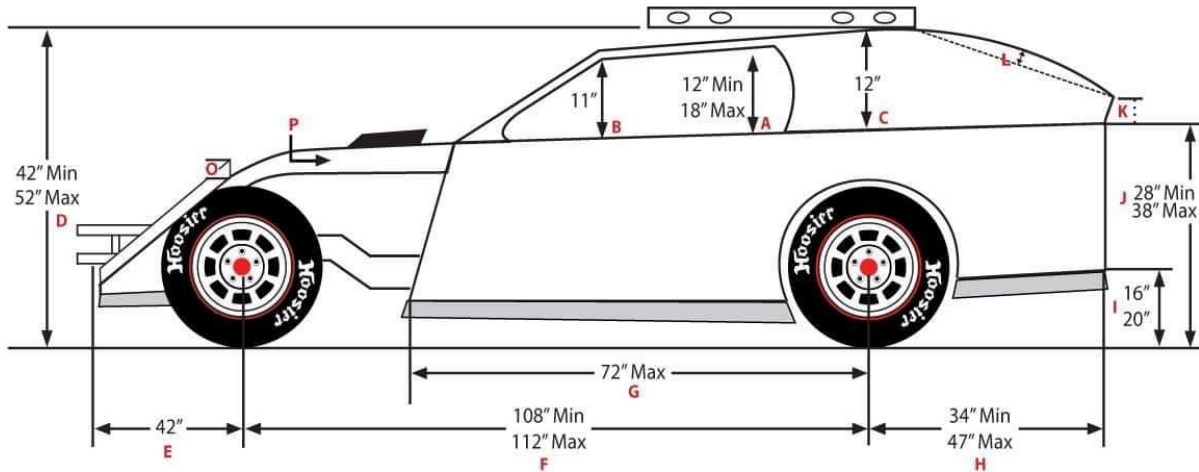


# OPEN WHEEL MODIFIED DIMENSIONS FOR 2020



- A.** Window opening - 12" Min - 18" Max
- B.** Front edge of roof to interior deck - 11" Min
- C.** Rear edge of roof to interior deck - 12" Min
- D.** Highest point of roof to ground - 42" Min - 52" Max
- E.** Center of front wheel to front edge of front bumper - 42"
- F.** Wheelbase: Center of rear wheel to center of front wheel - 108" Min - 112" Max
- G.** Center of rear wheel to front edge of door - 72" Max
- H.** Center of rear wheel to rear edge of quarter panel - 34" Min - 47" Max
- I.** Center of lowest bar on rear bumper to ground - 16" Min - 20" Max
- J.** Deck height to ground - 28" Min - 38" Max
- K.** Rear sail panel height 4" Max
- L.** Sail panel curve from rear of roof to rear of panel - 2" Max
- M.** Sail panel bow from bottom to roof - 2" Max
- O.** 2" Max lip, same on both sides flush with hood
- P.** 5" Max drop(sides) sealed off from driver's compartment and Max 6" raise
- Q.** 24" Max nose must be flat and flush with sides
- R.** 67" Max 24" Min, must cover radiator
- S.** 53" Max 32" Min
- T.** 53" Max 32" Min
- U.** 67" Max 55" Min, measured at top of interior deck, must be same front to back